

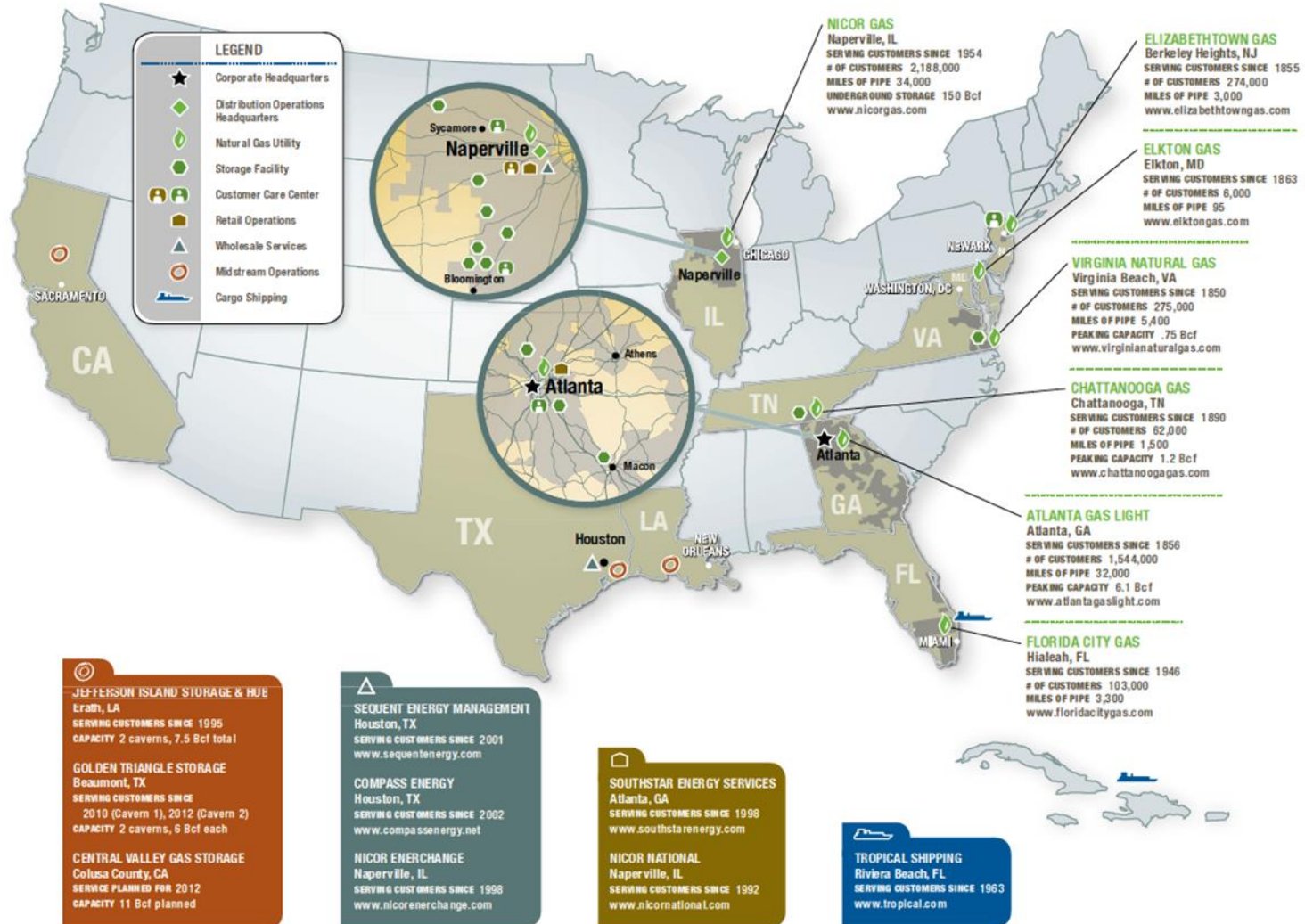
Golden Triangle Storage



Pivotal Energy Development™

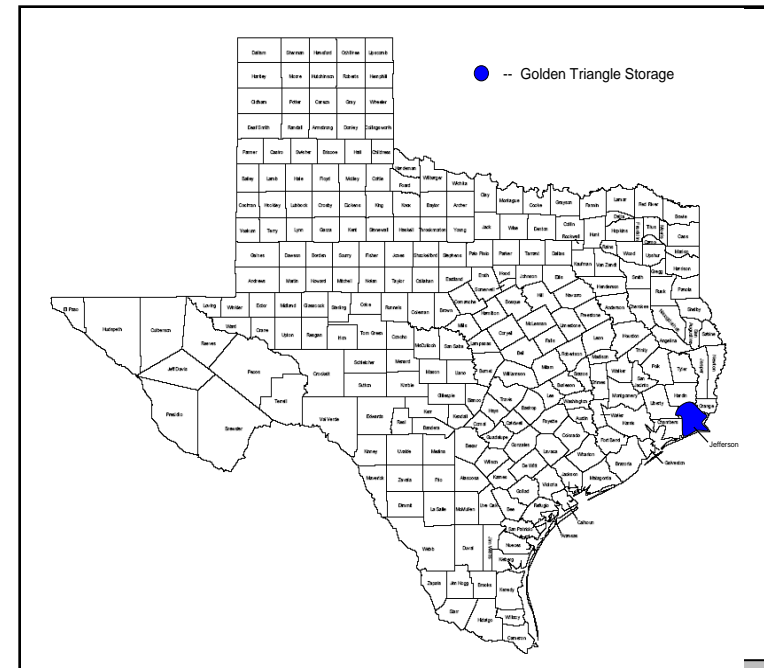
An AGL Resources Company

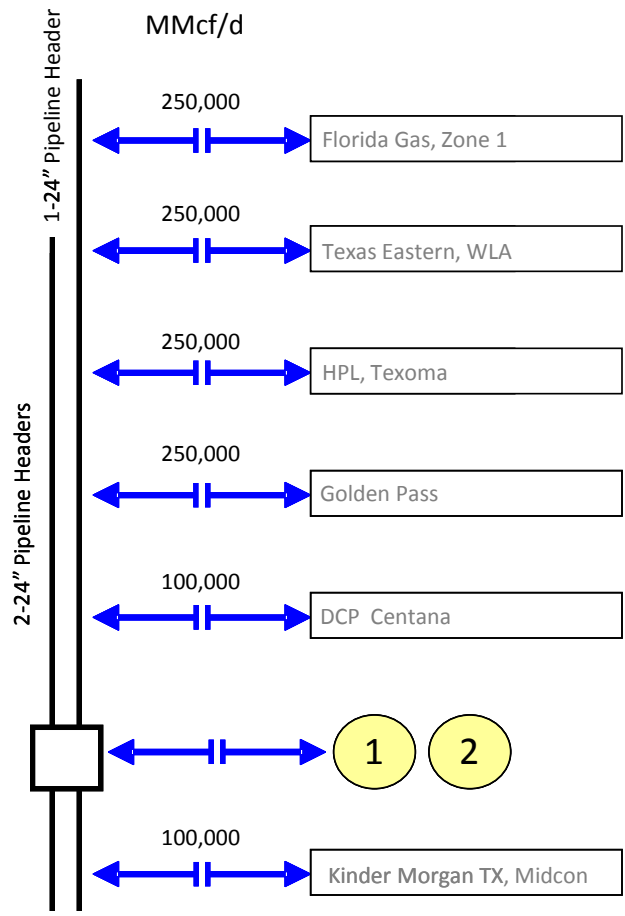
AGL Resources' Footprint



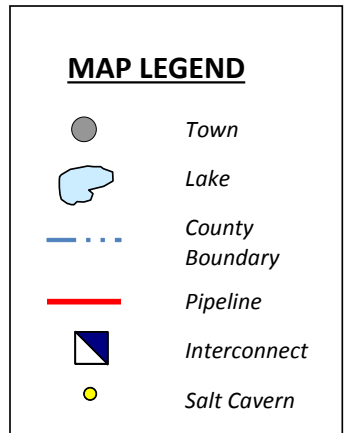
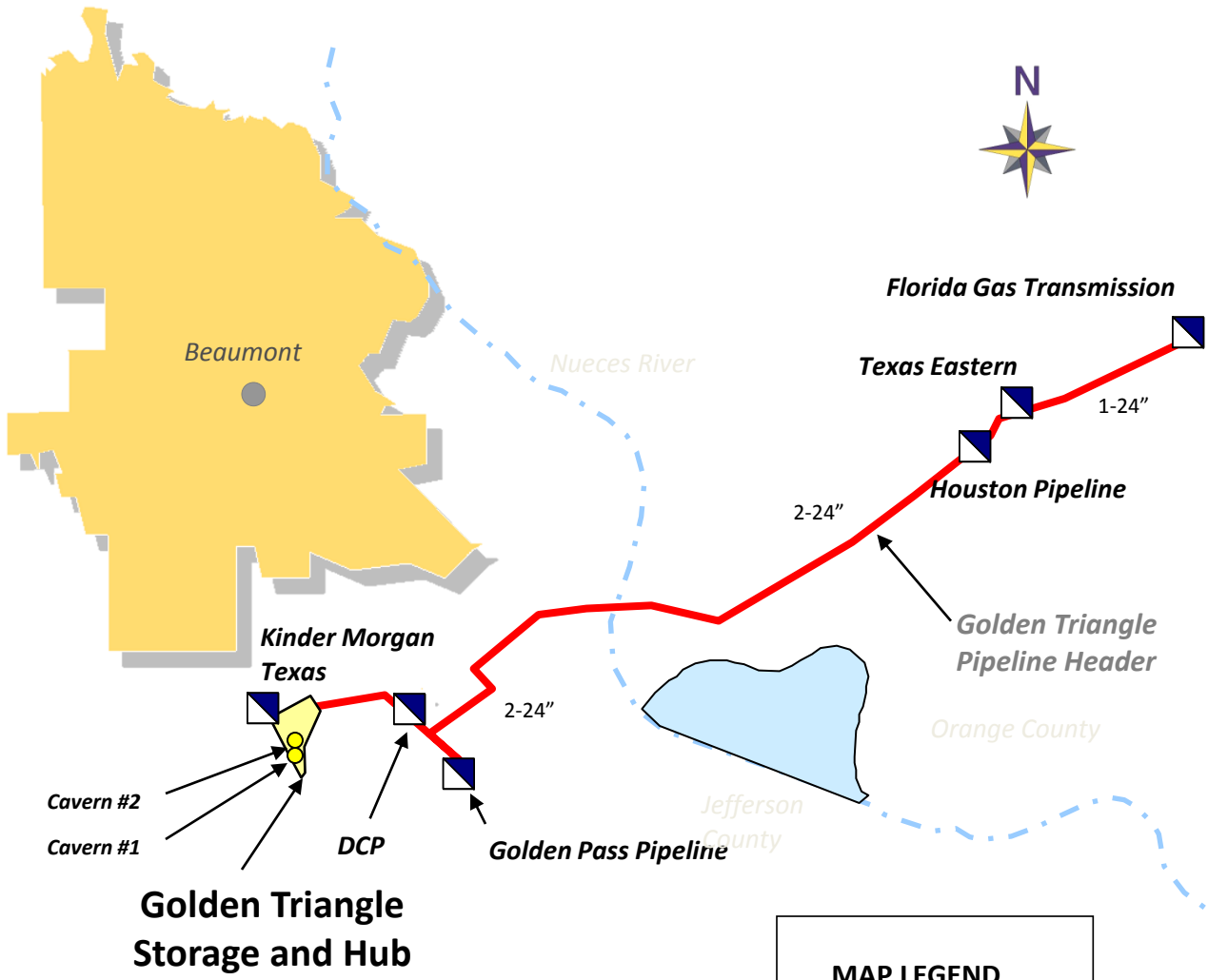
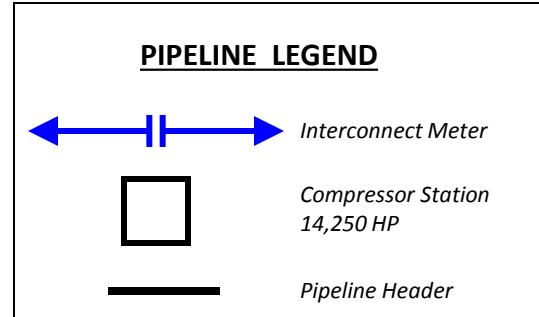
Golden Triangle Storage Details

- Total Capacity : 20.0 Bcf
- Working Gas : 13.2 Bcf
- Number of Caverns : 2
- Injection Capability : 300 MMcf/d
- Withdrawal Capability : 600 MMcf/d
- Theoretical Turns : 6.0
- Storage Field Type : Leached Salt Cavern
- Cavern Depth : 3,500 to 5,000 Feet
- Cavern Diameter : Approx 250 Feet
- Geologic Formation : Louann Salt (Jurassic)
- Location : Jefferson County, Texas





Pipeline Interconnections from West to East



Storage Contact Information

Long Term Capacity

Kevin Conneighton
Managing Director - Midstream
(630) 245-7826
kconnei@aglresources.com

Short Term Hub Services

John Fortman
Director - Commercial Services
(630) 245-7845
jfortma@aglresources.com

Pivotal Energy Development
3333 Warrenville Road, Suite 300
Lisle, Illinois 60532